

Short Wave Infrared Curing System

User Manual

HT-2000



Index

1. Warning	3
2. Installation step	4-6
3. Instruction of control panel	7
4. Attention	8
5. Technical parameter...	8
6. Bulb replacement instruction	8

1. Warning

- (1) Before usage and installation, read carefully and understand that sign and handing instruction with device-dependent possessions. Please contact with manufacturer if you are insensible of something.**
- (2) Only professional workers can use, installation or maintenance the equipment, also need to handle by service regulations, the safe convention and manufacturer instruction.**
- (3) Strike will cause person death. Therefore,**
 - A. Installation and ground connection component must according to the regulation of homeland, locus and local.**
 - B. Don't operate under damp environment.**
 - C. Switch off the power source attachment plug on the wall before check the machine.**
- (4) Stipulate safe operation according to the operation guide.**
- (5) The user must ensure that all warning identifier are limpid and entire. If needing change, please contact the manufacturer.**
- (6) Ignore these safe labels may possibly lead person's fatality hurts, as well as equipments and possession will be lost.**
Please read the manual carefully and operate the equipment according to the manual.

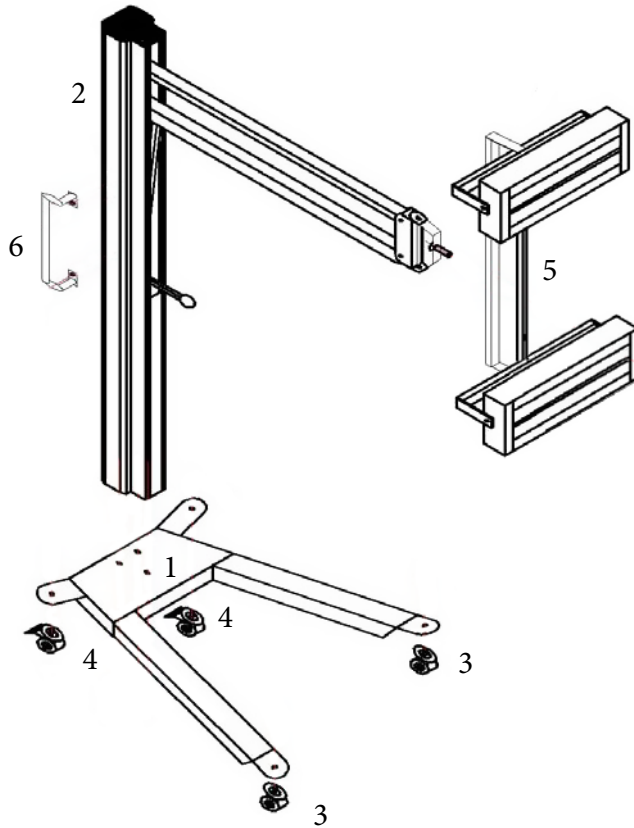
While the following sign appears, means possibility of person hurts. Read following information carefully please.



Prevent electric shock.

There are the dangers of electric shock in operation process.

2. Installation steps



ACCESSORY DETAILED LIST

Item	Name	Quantity
1	Basement	1
2	Post	1
3	Feet wheel (without lock)	2
4	Feet wheel (with lock)	2
5	Lamp panel	1
6	Handle bar	2

Installation HT-2000 needs the following implement, assembles step from being to complete needing nearly 20 minutes.

- Wrench 19mm, 17mm
- Allen key 4mm

Warning

Do not install the panel with lamps (5) until the post (2) and base (1) are firmly tied.

Step 1

Install the wheels (3) and (4) to the base (1), use a wrench 19 mm to screw tightly. Note: put the feet wheel (with lock) (4), behind base.



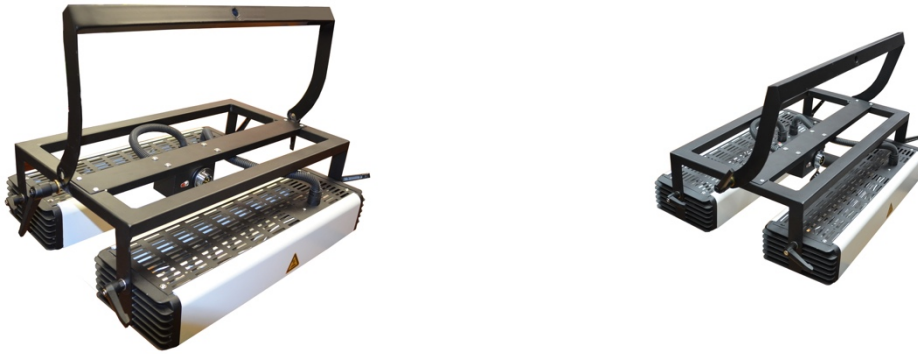
Step 2

Use the wrench 17mm to tie the post (2) with the base (1)
Note: Require that two workers accomplish this operation.



Step 3

Assemble lamp panel (5)



Step 4

Connecting the lamp panel (5) to the post (2) using bracket

Note: Adjust the degree of tightness.



Please choose the right main power source attachment plug and connect to the trunk wire.

HEATTECK SOLUTION

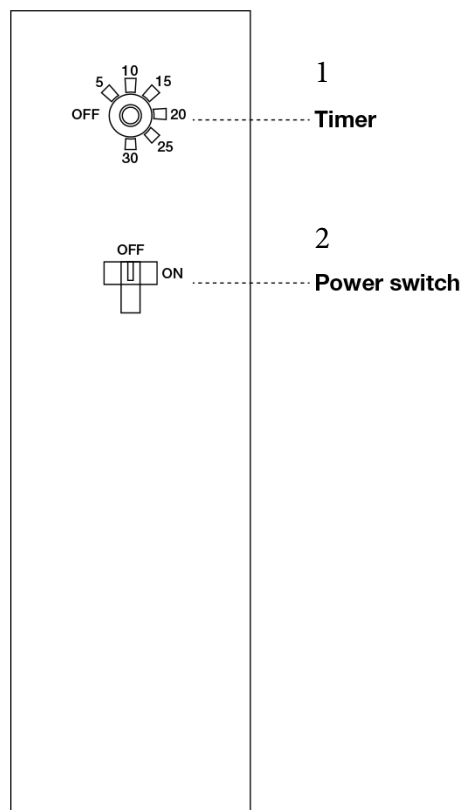
HT-2000 SHORT WAVE INFRA-RED CURING SYSTEMS

www.heattecksolution.com

Suggest that you reference the power source specification, or ask senior personnel for advice, ensure the trunk wire is right before operation and testing.

Matters needing attention

1. **Rightness distinguishes cable, yellow green is earth wire , others are job lines.**
2. **Take away the foam rubber on the cover and sponge below the emitter before starting an emitter.**
3. **Control panel:**



Time adjust knob (1) 5 - 30 min

Power switch (2) - on/off

4. Attention.

- (1) The distance between heating lamp and **a repair panel** must more than 400 mm.
- (2) Don't impinge against the equipment.
- (3) Don't put hard thing into emitter.
- (4) Keep balance when you move the equipment.
- (5) Don't pull down the power wires when you move the equipment.
- (6) Connect the **ground wire** to ensure safety.
- (7) If use in the spray booths, please clean the inside air before turn on the switch.

5. Technical parameter

Model	HT-2000
Heating Tube	17 inch Carbuncle short wave infra-red curing lighting tube 2x1000W
voltage	120V
Electric current	20-25A
Power	2000W
Backing area	0.8x0.7m ²
Temperature	60°C-70°C

6. Bulb replacement instruction

- (1) Switch off the power source.
- (2) Take out the protection net in front of heating tube.
- (3) Screw the screw of the back heat dissipation net; take away the heat dissipation net.
- (4) Take out of heating tube.
- (5) Pay attention to: when you take out the wire you must pay attention to the location, in order to return to an original place.

Use the tong to separate the heating tube and the connector separate.

- (6) Put new heating tube into the tube socket.

Note: During installation, use the soft cloth or Kleenex on hand, to avoid staining an heating tube. Use the soft cloth or cotton with alcohol to clean reflector and heating tube.

- (7) Connect with the wire and heating tube
- (8) Install back heat dissipation net.
- (9) Install the protection net.